

**PALLET FLOW, PUSHBACK, DRIVE-IN, DRIVE-THRU RACKING QUOTATION REQUEST FORM**

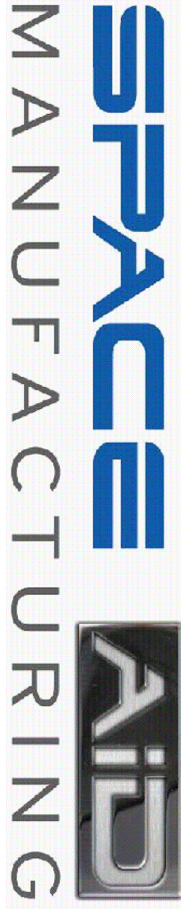
DATE: \_\_\_\_\_

CUSTOMER NAME: \_\_\_\_\_

ADDRESS: \_\_\_\_\_

PHONE: \_\_\_\_\_

DISTRIBUTOR: \_\_\_\_\_



43 Regan Road  
Brampton, Ontario  
L7A 1B2  
Phone: 905.840.5550  
Fax: 905.840.5560

CITY: \_\_\_\_\_ PROVINCE: \_\_\_\_\_

FAX: \_\_\_\_\_ LOCATION OF INSTALL: \_\_\_\_\_

SALES REP.: \_\_\_\_\_ PHONE/EMAIL: \_\_\_\_\_

- PUSHBACK
- DRIVE-IN
- PALLET FLOW
- DRIVE-THRU

PRODUCT TO BE STORED: \_\_\_\_\_

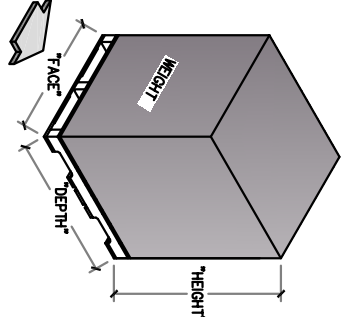
PRODUCT FACE: \_\_\_\_\_ WEIGHT PER PALLET: \_\_\_\_\_ LBS.

PRODUCT DEPTH: \_\_\_\_\_ IF THE LOAD OVERHANGS THE PALLET PLEASE ADVISE:

PRODUCT HEIGHT: \_\_\_\_\_ LOAD OVERHANG FRONT TO BACK: \_\_\_\_\_

IS THE PALLET STRETCH WRAPPED: Y / N TYPE OF SKID: \_\_\_\_\_

CAN PALLETS BE TURNED TO OTHER FACE: Y / N QUANTITY AND SIZE OF BOTTOM BOARDS: \_\_\_\_\_



IN A DRIVE-IN OR DRIVE-THRU SCENARIO CAN THE PALLETS BE DOUBLE STACKED ON THE FLOOR: Y / N

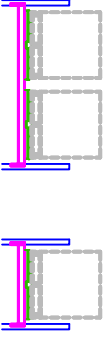
**WAREHOUSE:**

- FREEZER
- COOLER
- AMBIENT
- WET OR WASH-DOWN
- DIRTY (WHY): \_\_\_\_\_

SYSTEM REQUIREMENTS		
NUMBER OF PALLETS DEEP	NUMBER OF BAYS	NUMBER OF LEVELS

BUILDING UNDER CLEAR: \_\_\_\_\_

OBSTRUCTION UNDER CLEAR: \_\_\_\_\_

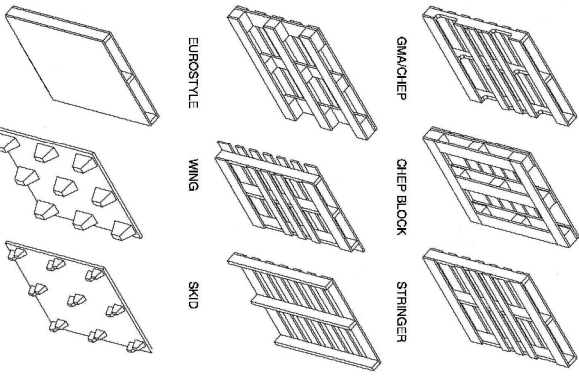


\*\*FOR PUSHBACK PLEASE ADVISE PREFERENCE SINGLE WIDE OR DOUBLE WIDE. PALLET FLOW, DRIVE-IN AND DRIVE-THRU WILL BE SINGLE WIDE.

**PALLET CONDITION:**

- CONSISTENTLY GOOD QUALITY
- OCCASIONAL DISFORMITY
- POOR QUALITY (EG. BROKEN BOARDS)

ADDITIONAL NOTES: \_\_\_\_\_



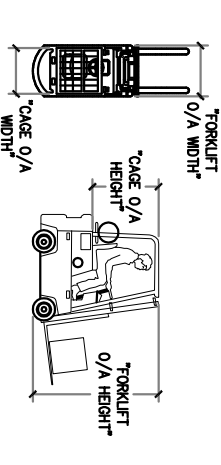
NOTE: ON THE CHART PLEASE INDICATE PICKING FACE WITH AN ARROW AND INDICATE PICKING FACE

LIFT TRUCK TYPE: \_\_\_\_\_

MAXIMUM LIFT HEIGHT: \_\_\_\_\_

MINIMUM AISLE REQUIREMENT: \_\_\_\_\_

MAXIMUM CAPACITY: \_\_\_\_\_



FOR DRIVE-IN OR DRIVE THRU SYSTEMS PLEASE ADVISE THE FOLLOWING:

FORK LIFT O/A HEIGHT: \_\_\_\_\_ FORK LIFT O/A WIDTH: \_\_\_\_\_  
 CASE O/A HEIGHT: \_\_\_\_\_ CASE O/A WIDTH: \_\_\_\_\_

- APPLICATION:**
- INDOOR
  - OUTDOOR
- FOUNDATION:**
- CONCRETE
  - OTHER: \_\_\_\_\_
- STORAGE:**
- RAW MATERIAL
  - FINISHED GOODS